

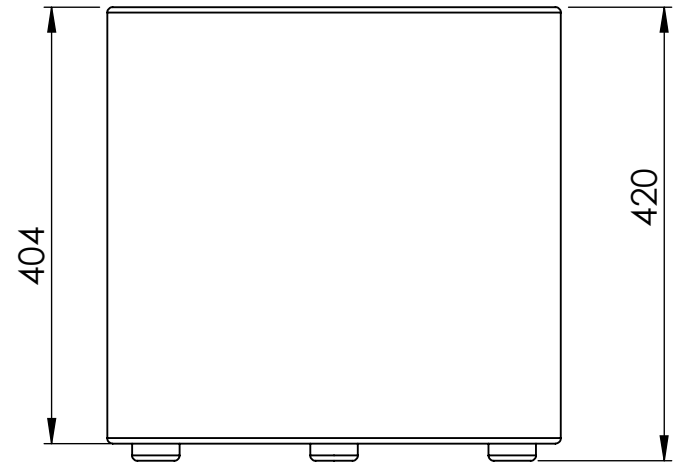
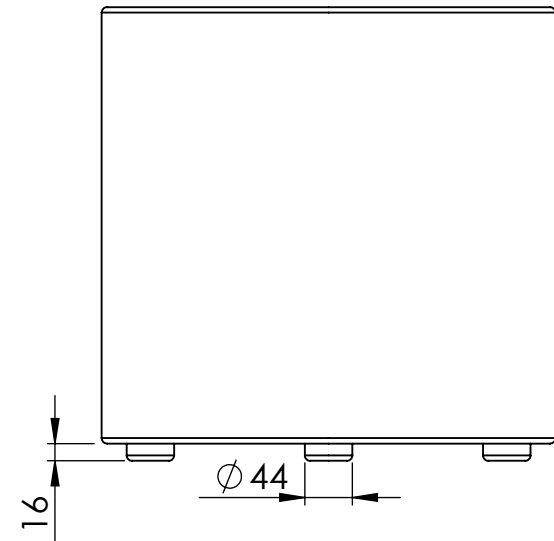
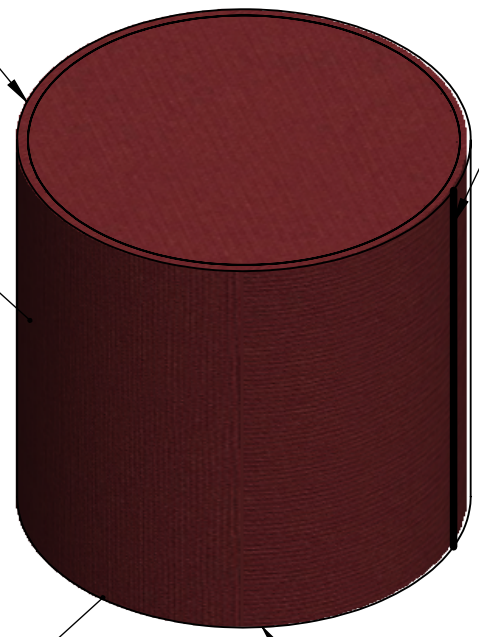
STICHED TOP SEAM

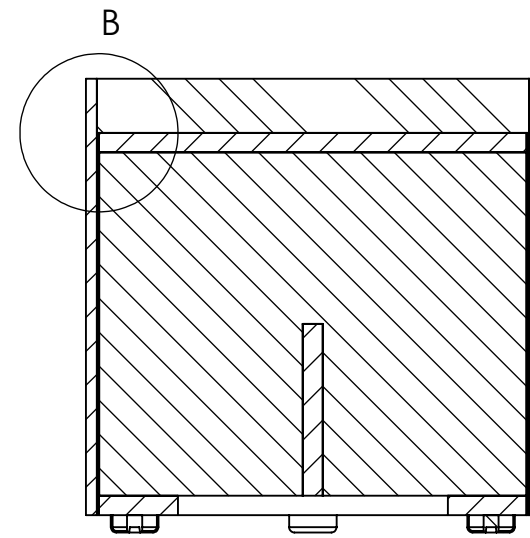
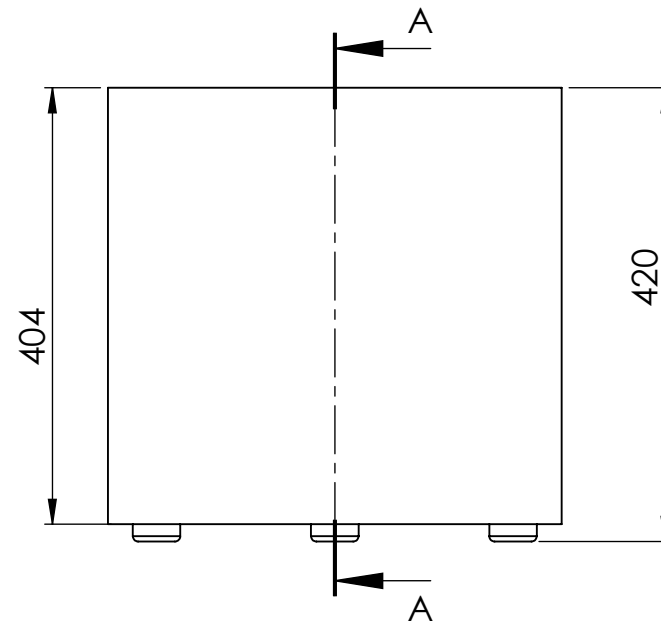
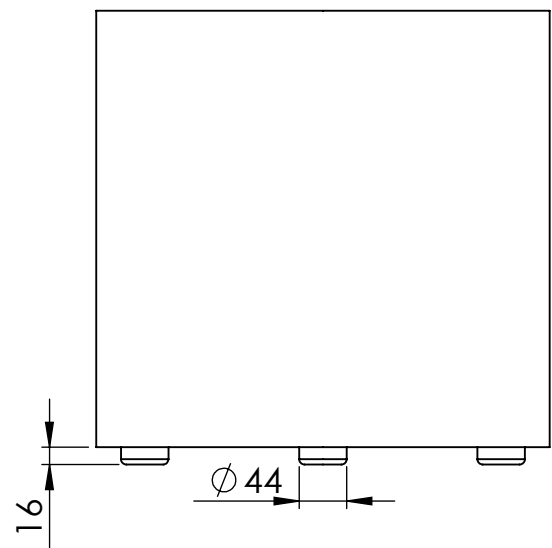
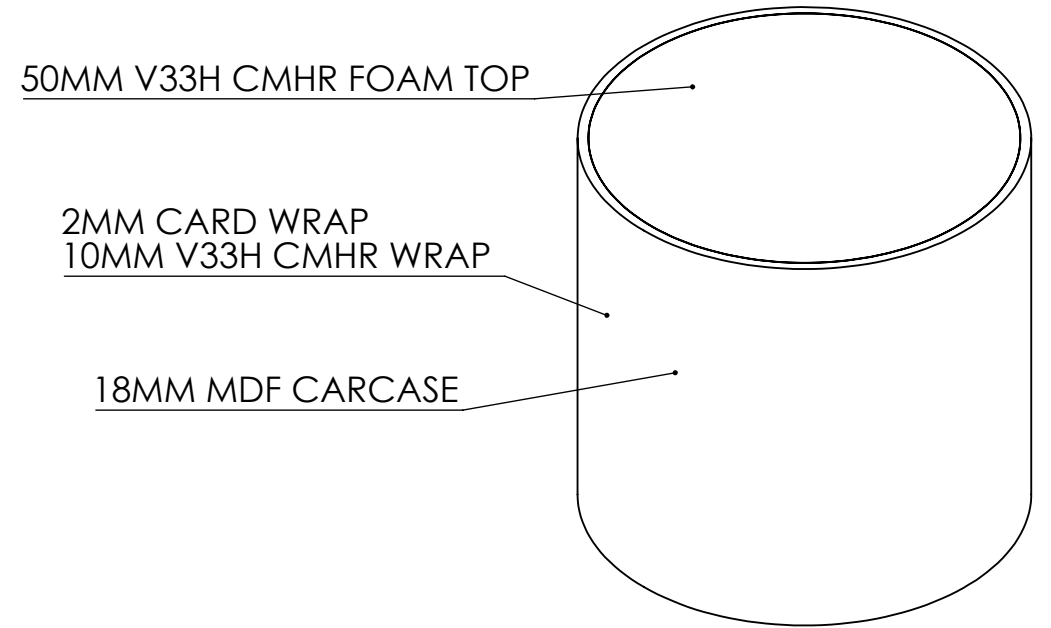
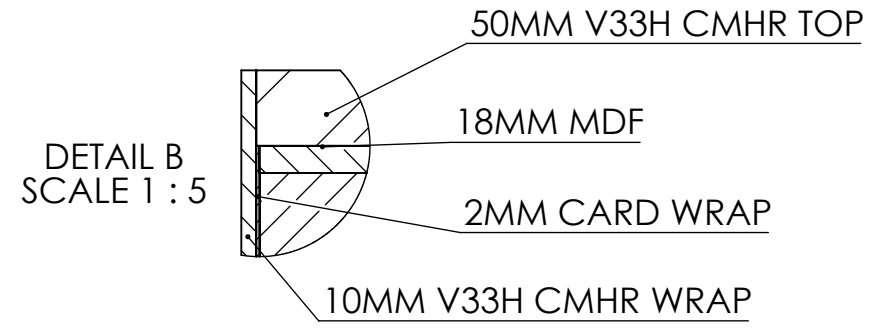
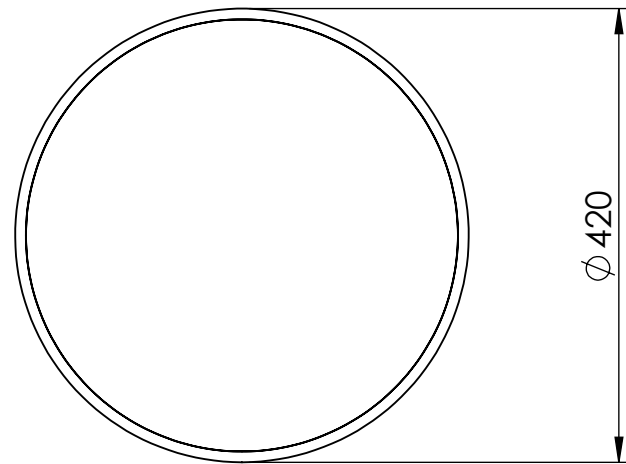
UPHOLSTERED IN REQUESTED FABRIC

SEWN SEAM ON ONE SIDE

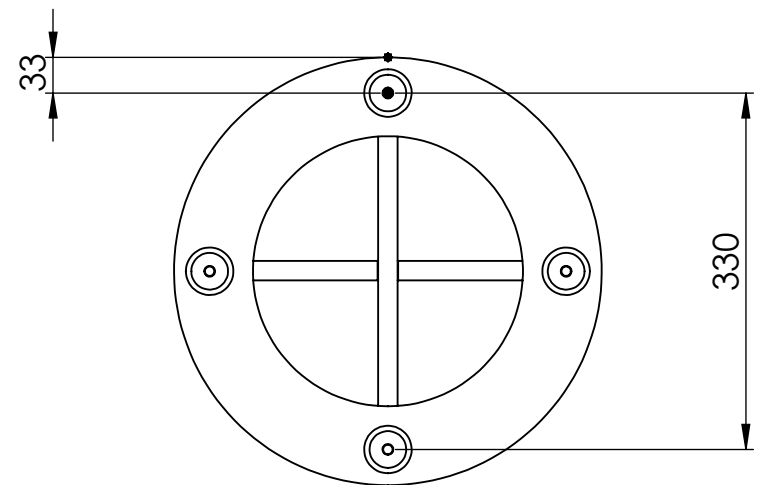
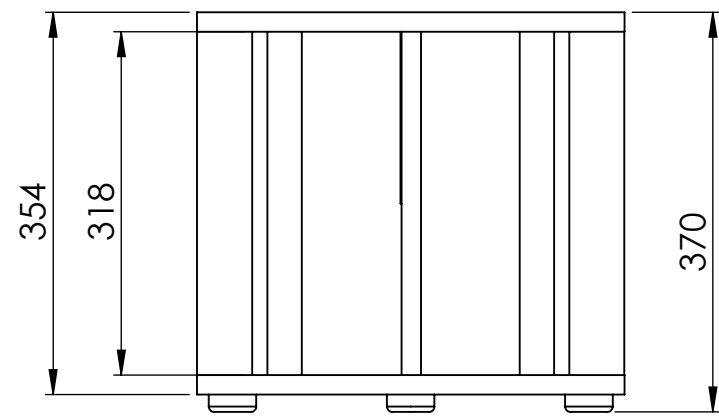
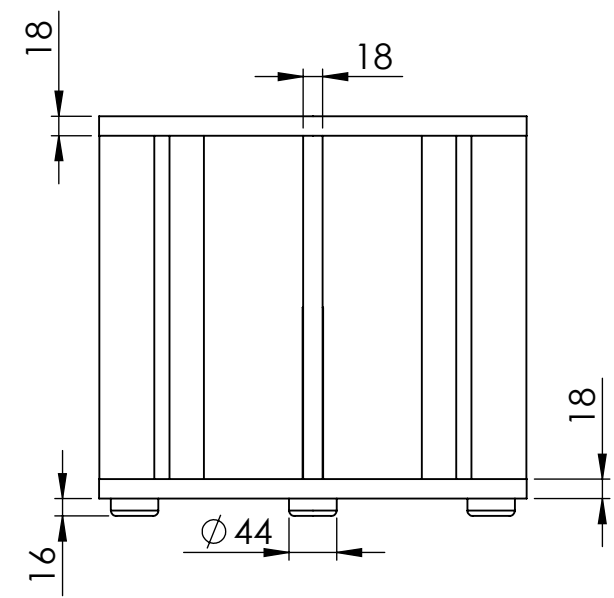
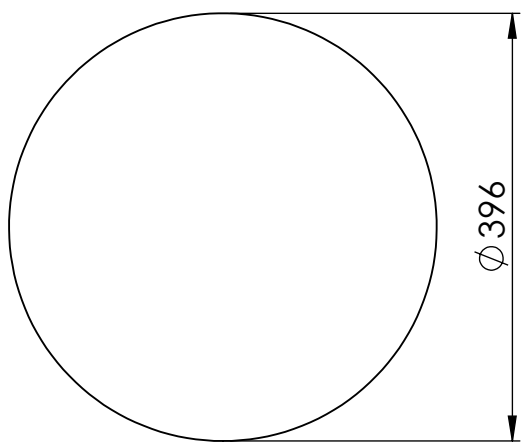
4 X 44MM DIAM X 16MM PLASTIC GLIDES

UNDERSIDE FINISHED WITH PATTERN CUT BLACKING





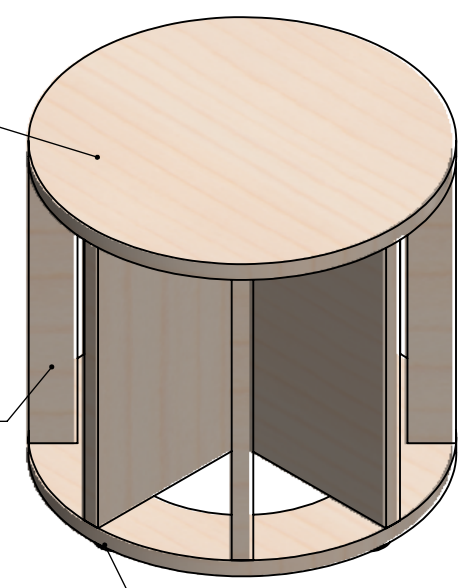
SECTION A-A  
SCALE 1 : 7



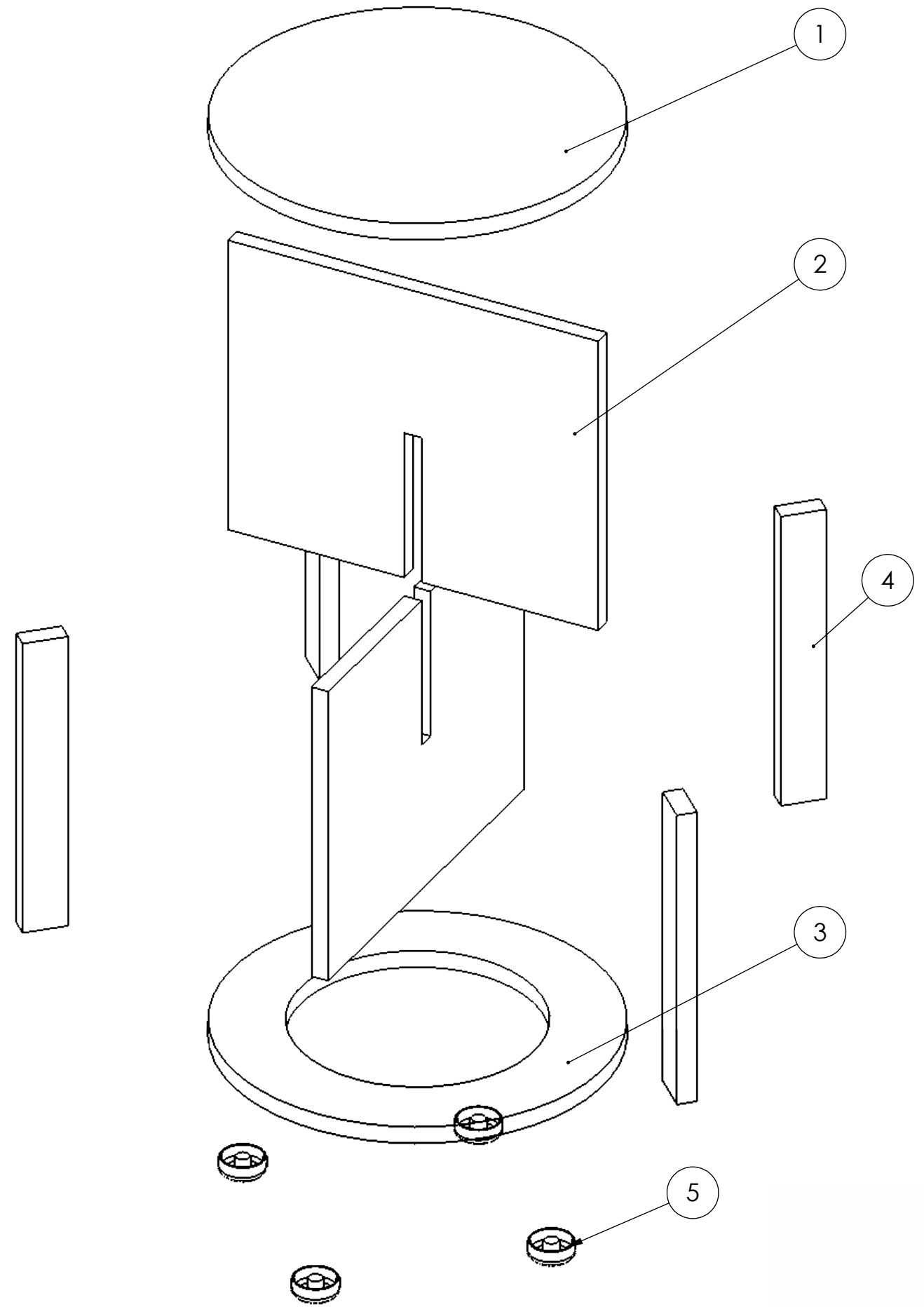
18MM MDF CARCASE

PSE 20 x 45MM SUPPORTS

4 X 44MM DIAM X 16MM PLASTIC GLIDES



C16 - COMPONENTS



ITEM	QUANTITY	SIZE	NOTES
1 - TOP	1	396MM DIAM X 18MM	CNC CUT MDF
2 - STRUCTURAL PANELS	2	395.6MM X 318MM X 18MM	CNC CUT MDF SEE BELOW FOR SIZES
3 - BOTTOM	1	396MM DIAM WITH 250MM DIAM CUT OUT X 18MM	CNC CUT MDF
4 - SUPPORTS	4	318MM X 45MM X 20MM	45MM X 20MM PSE
5 - 45MM DIAM X 16MM GLIDES	4	45MM DIAM X 16MM SCREW IN GLIDES	BLACK PLASTIC

**ITEM 2**  
**1:5**  
 X2 UNITS  
 PER STOOL

