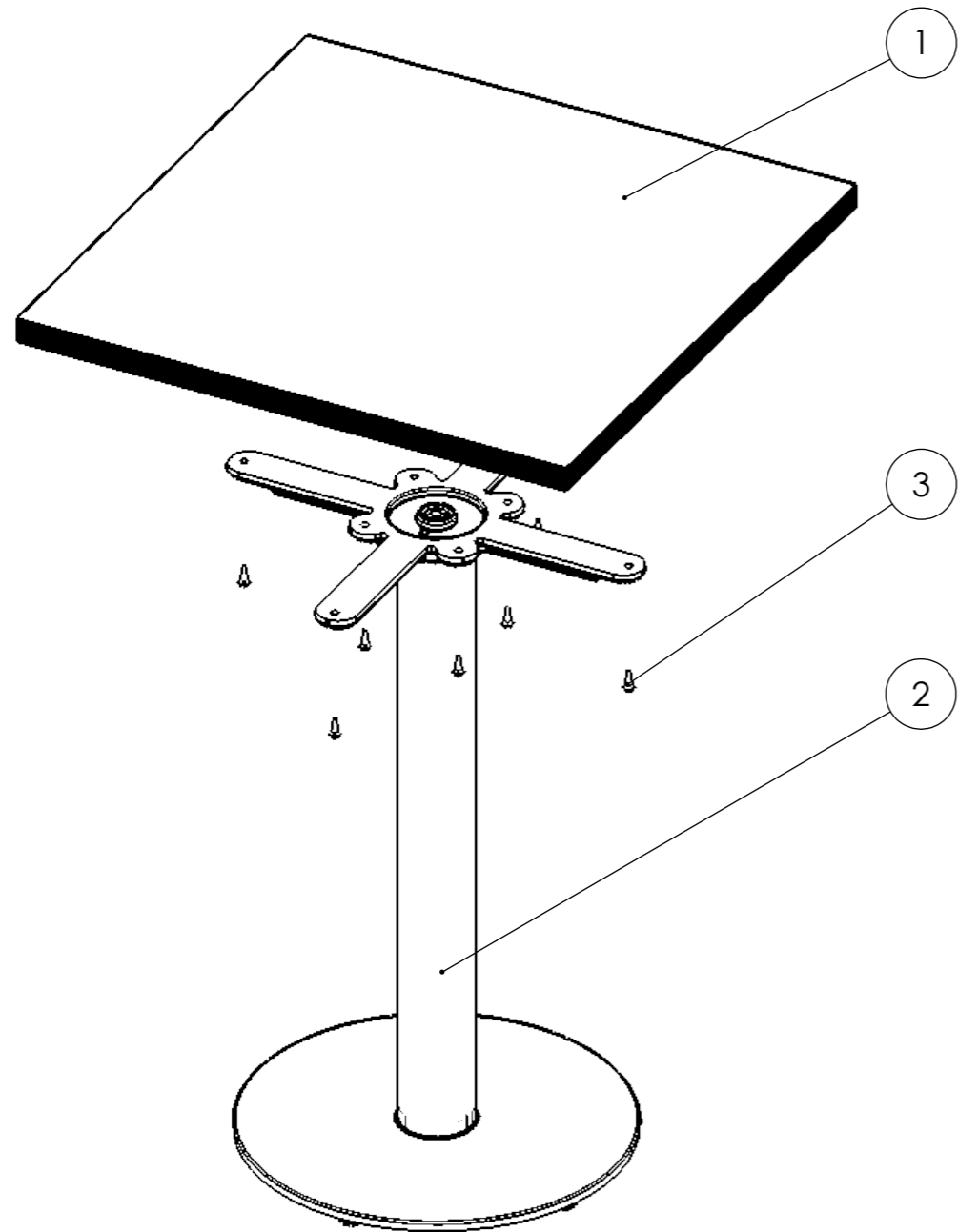
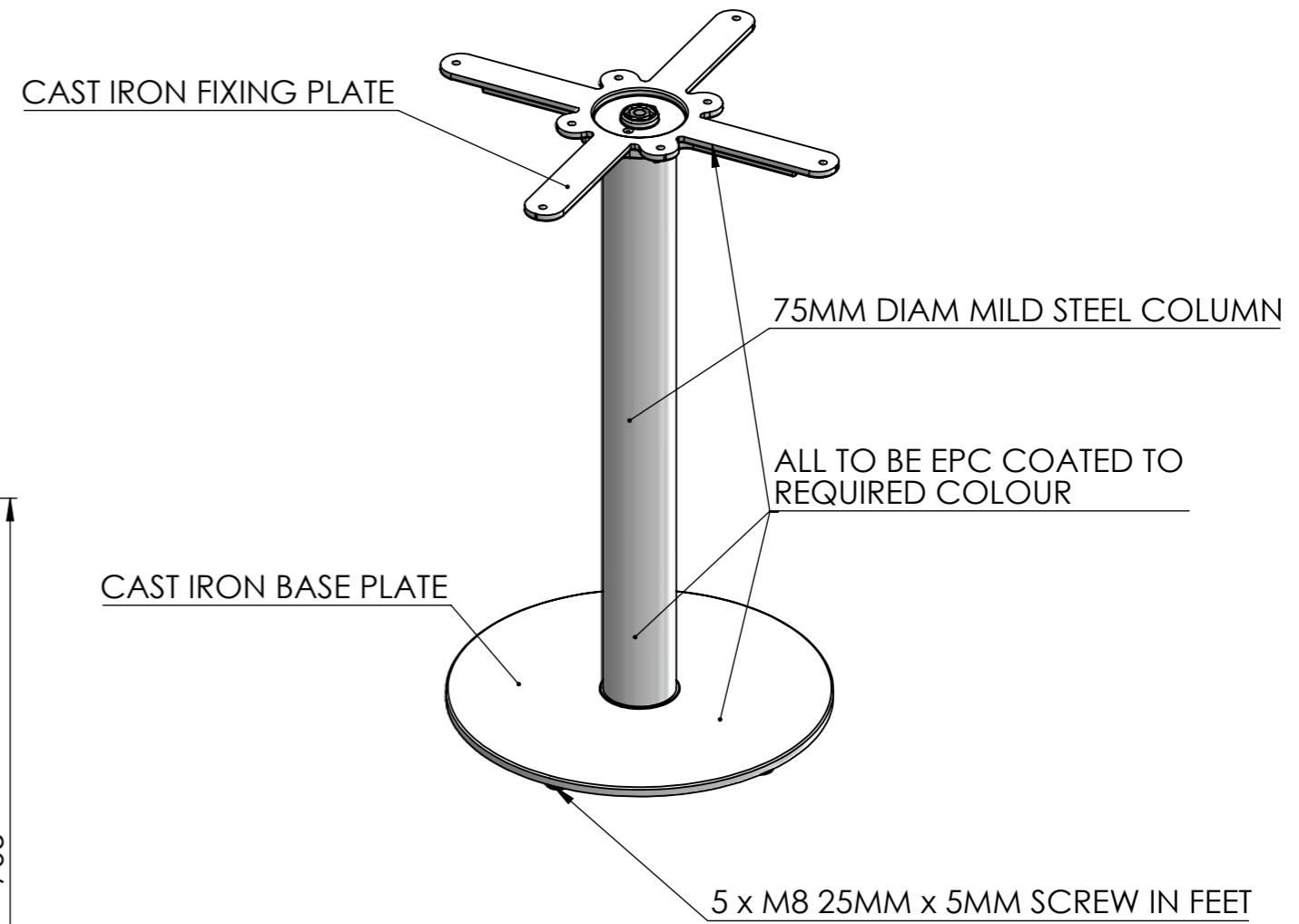
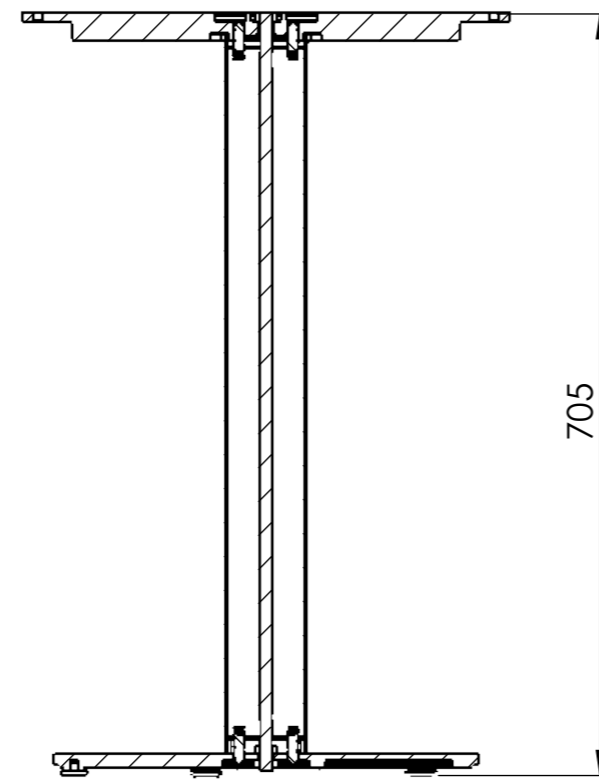
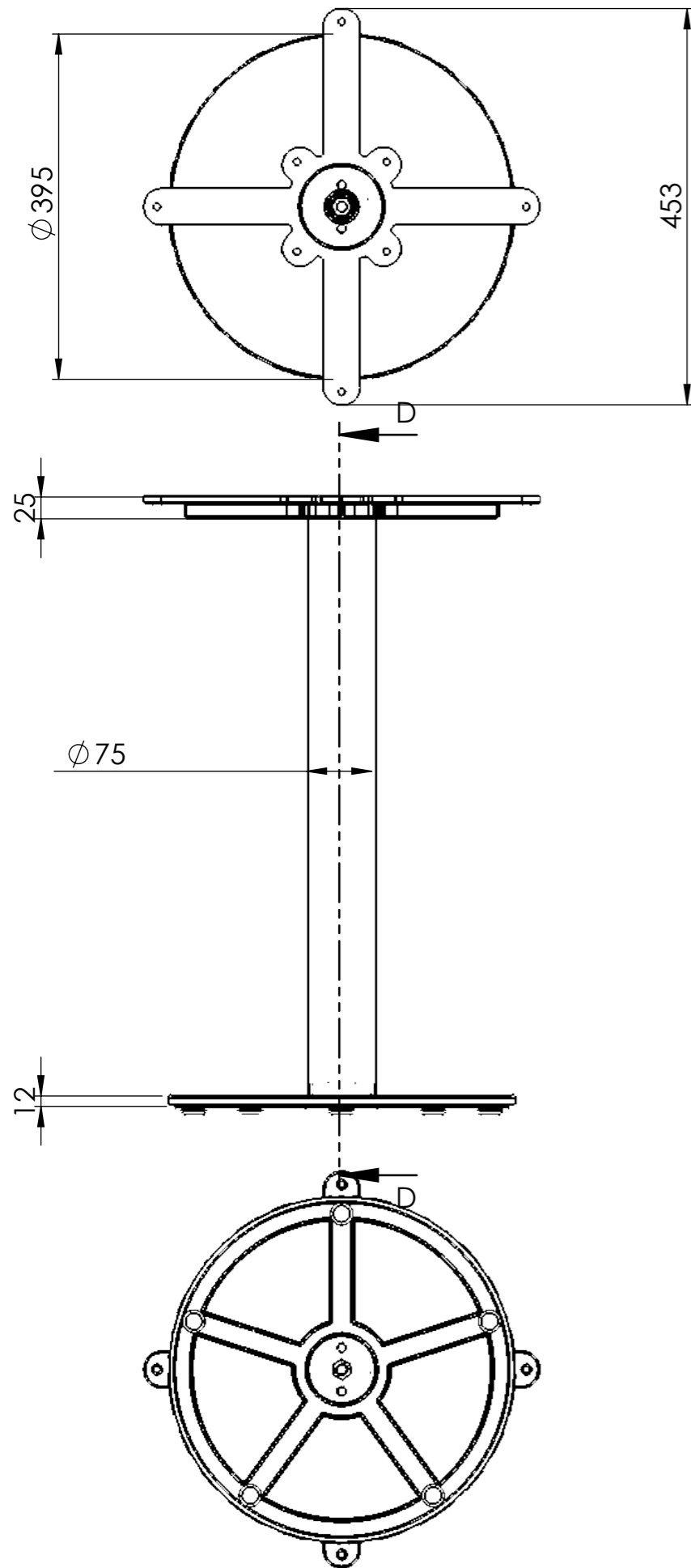


T1A - COMPONENTS

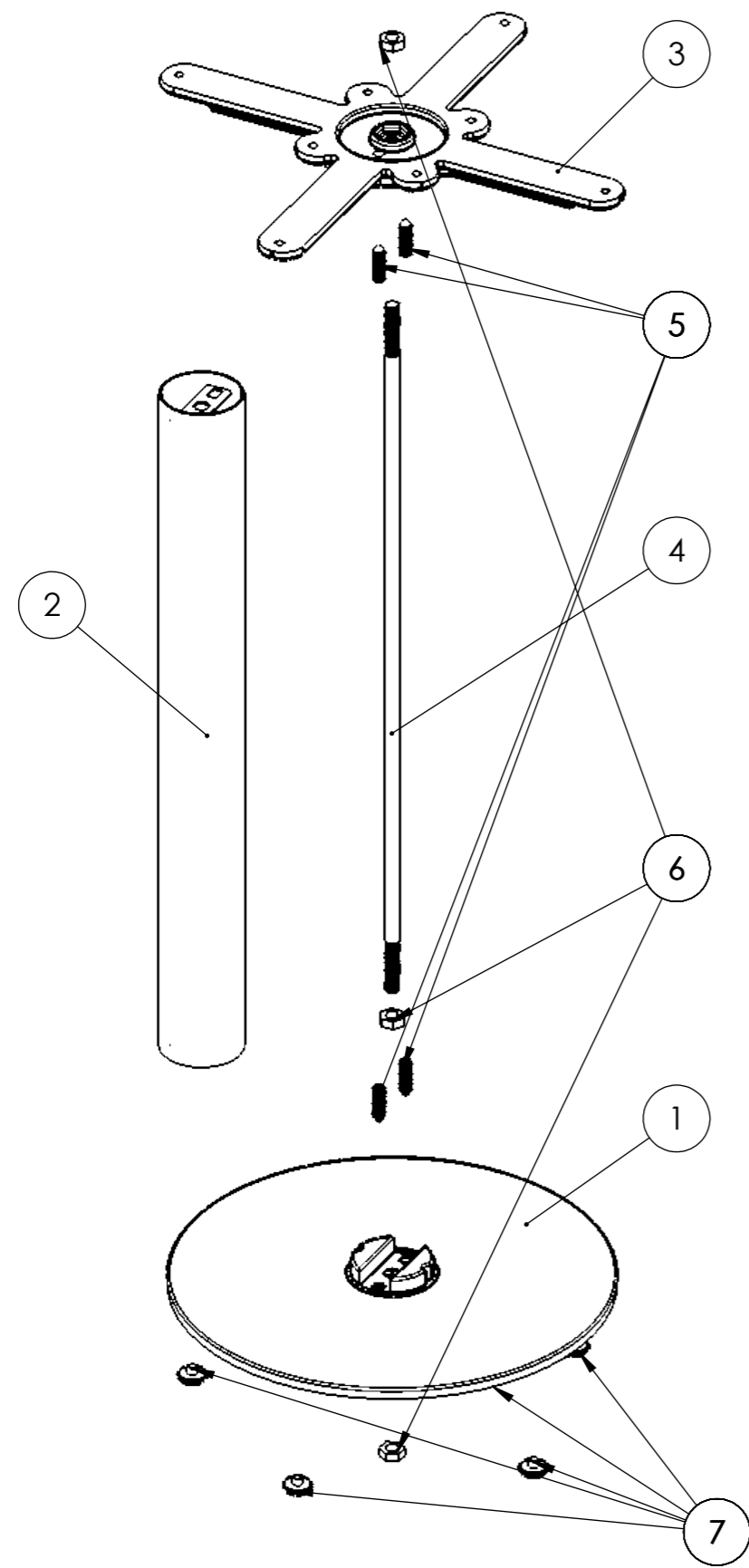


ITEM	QUANTITY	SIZE	NOTES
1 - 605MM X 605MM OAK VENEER TABLE TOP	1	605MM X 605MM X 25MM	24MM BIRCH MULTI-PLY CORE WITH 1MM OAK VENEER TO TOP - ALL EDGES TO BE BROKEN AND SOFT TO TOUCH
2 - T1 STYLE TABLE BASE	1	705MM TALL	DETAILS FOLLOW ON PAGES 3 - 7
3 - 5.0 X 20MM WOOD SCREWS	8	5.0 X 20MM	FOR FIXING TOP TO BASE USING LOCATION HOLES

T1 STYLE TABLE BASE

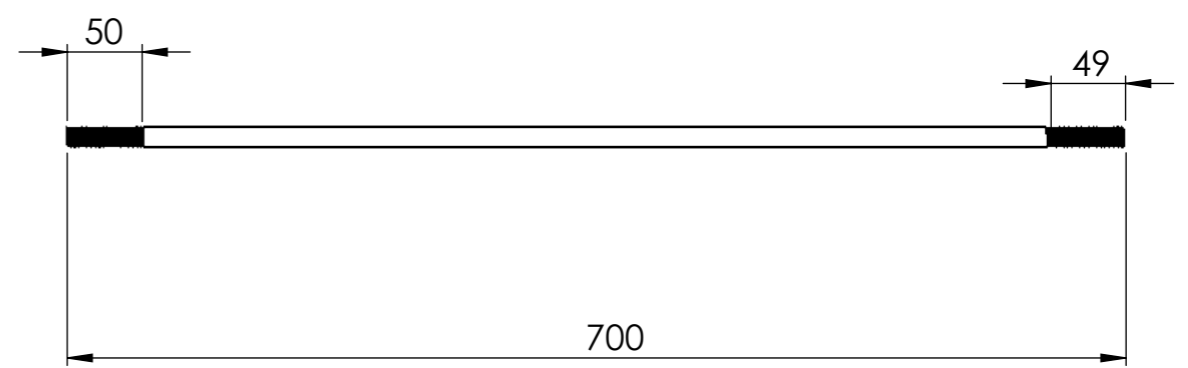


T1 STYLE TABLE BASE EXPLODED



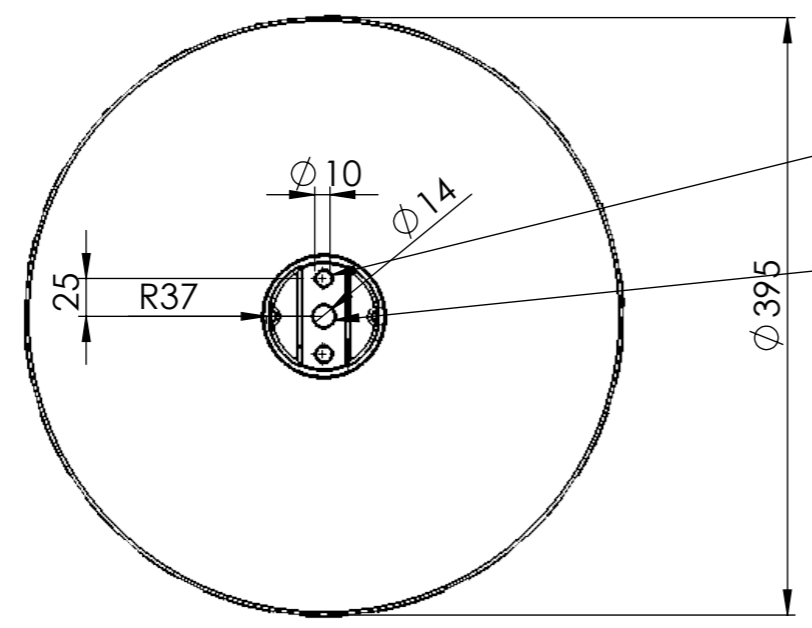
ITEM	QUANTITY	SIZE	NOTES
1 - BASE PLATE	1	395MM DIAM X 12MM	CAST IRON BASE PLATE - DETAILS ON NEXT PAGE
2 - COLUMN	1	75MM DIAM X 666MM X 2MM THICKNESS	80MM X 2MM MILD STEEL TUBE - WELDED GUIDES EACH END - SEE PAGE 6
3 - FIXING PLATE	1	453MM X 453MM X 25MM	CAST IRON FIXING PLATE - DETAILS ON PAGE 7
4 - M12 PART THREADED STRUCTURAL BAR	1	M12 X 700MM	ZINC PRIMED STEEL PARTIALLY THREADED M12 ROD - SEE BELOW FOR THREAD DETAILS
5 - M10 THREADED COLUMN GUIDES	4	35MM M10 THREADED GUIDES	MILD STEEL M10 THREADED BAR - SCREWED INTO ITEMS 1 & 3 TO GUIDE COLUMN
6 - M12 NUTS	3	M12	M12 STEEL NUT TO FIX STRUCTURAL BAR THROUGH COLUMN
7 - M8 SCREW IN FEET	5	M8 25MM X 5 MM WITH 7MM THREAD	M8 SCREW IN FEET

ITEM 4
1:5



T1 STYLE TABLE - BASE PLATE

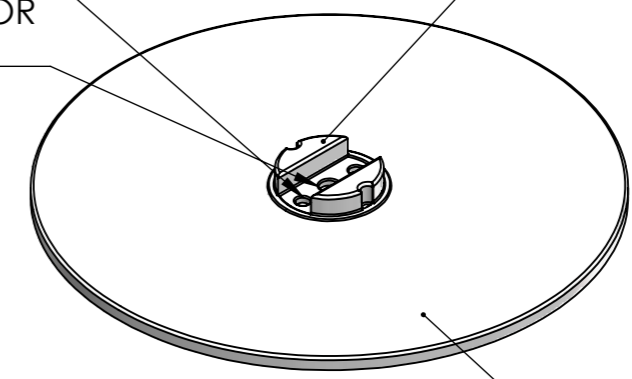
ITEM 1



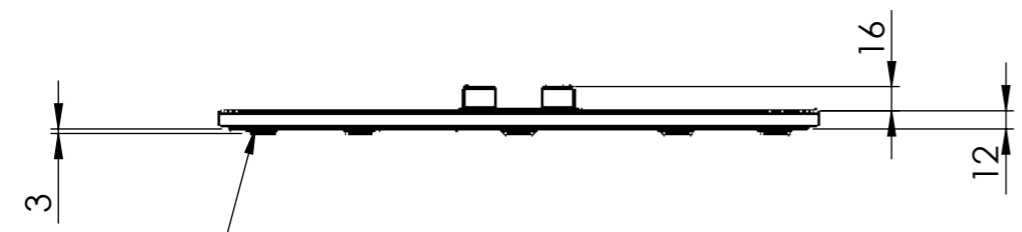
THREADED M10 FOR COLUMN GUIDES

14MM DIAM HOLE FOR M12 BAR TO PASS

RAISED TO ALLOW FOR EASY COLUMN POSITION

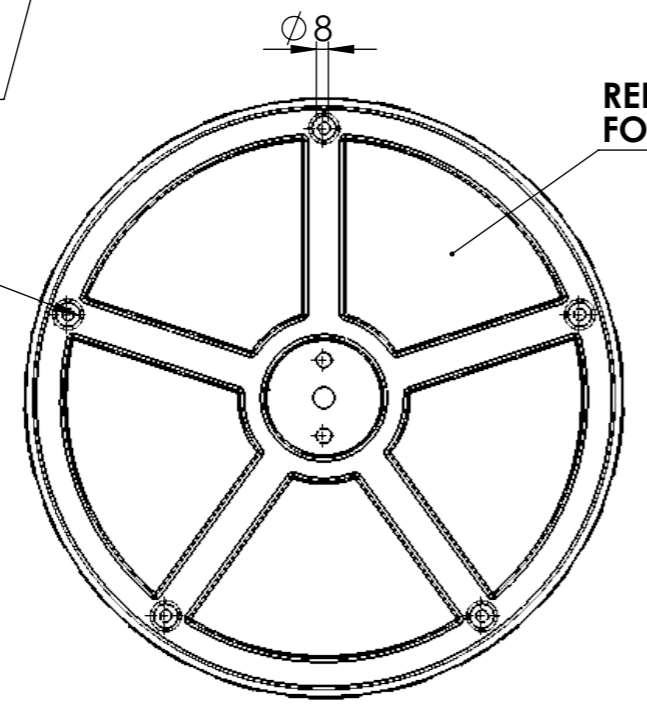


COMPLETELY CAST IRON

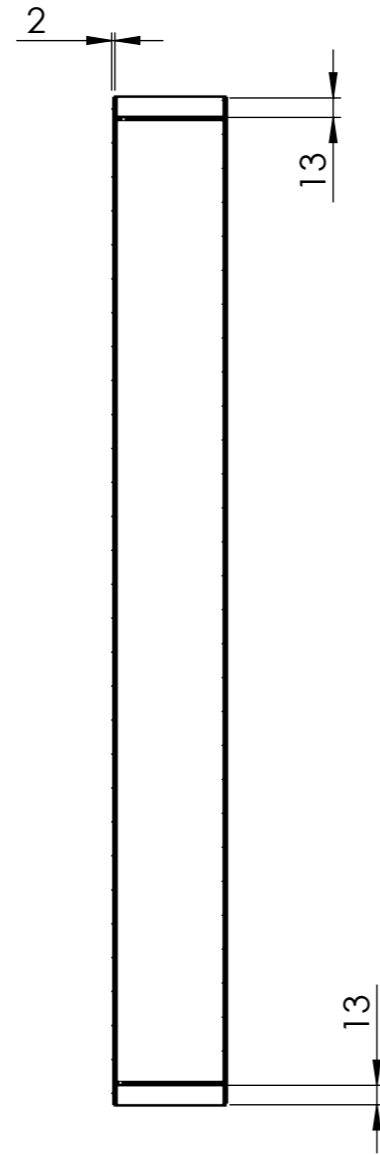
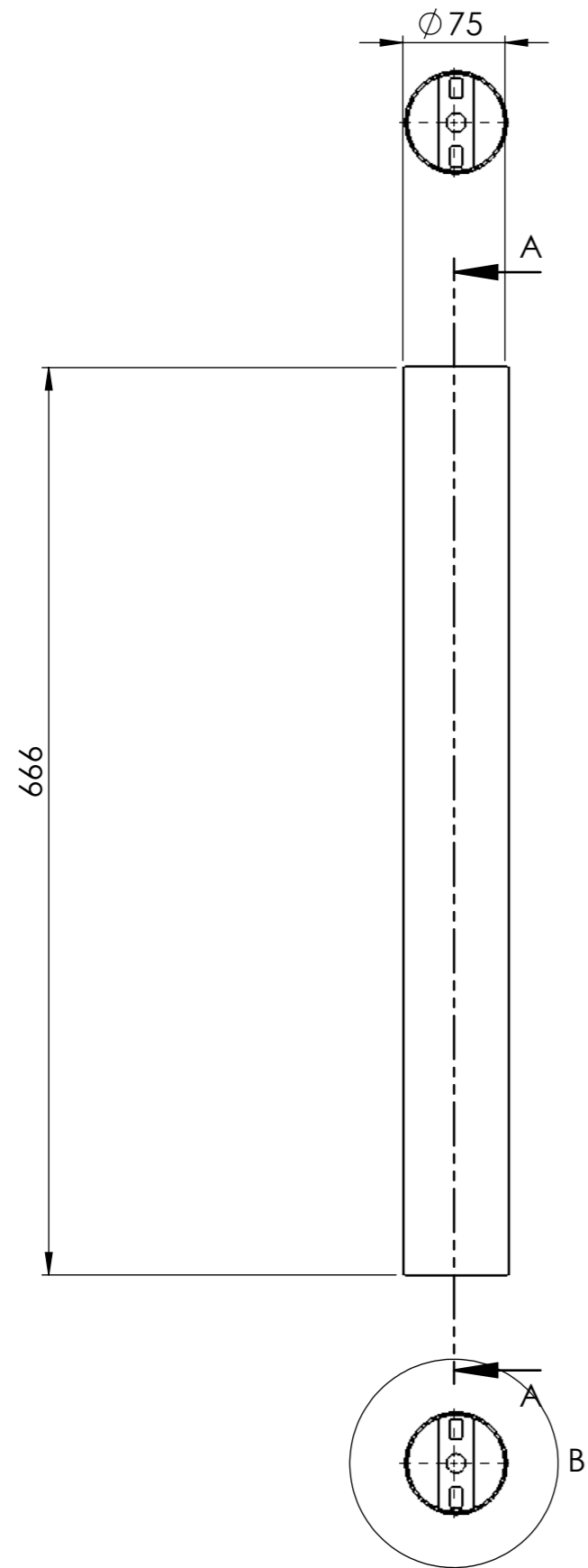


REINFORCED TO ALLOW M8 THREADED FEET HOLES

REDUCED THICKNESS HERE FOR WEIGHT REDUCTION



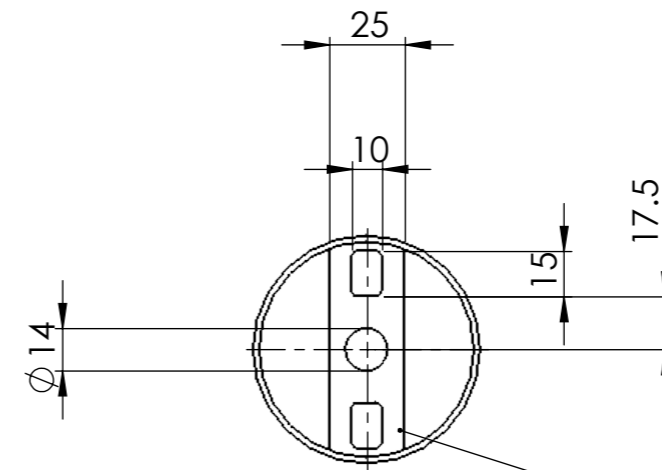
ITEM 2



SECTION A-A

75 DIAM X 2MM MILD STEEL TUBE

2MM MILD STEEL PLATE
TOP AND BOTTOM FOR
FIXING GUIDES



DETAIL B
SCALE 2 : 5

2MM MILD STEEL

T1 STYLE TABLE - FIXING PLATE

ITEM 3

